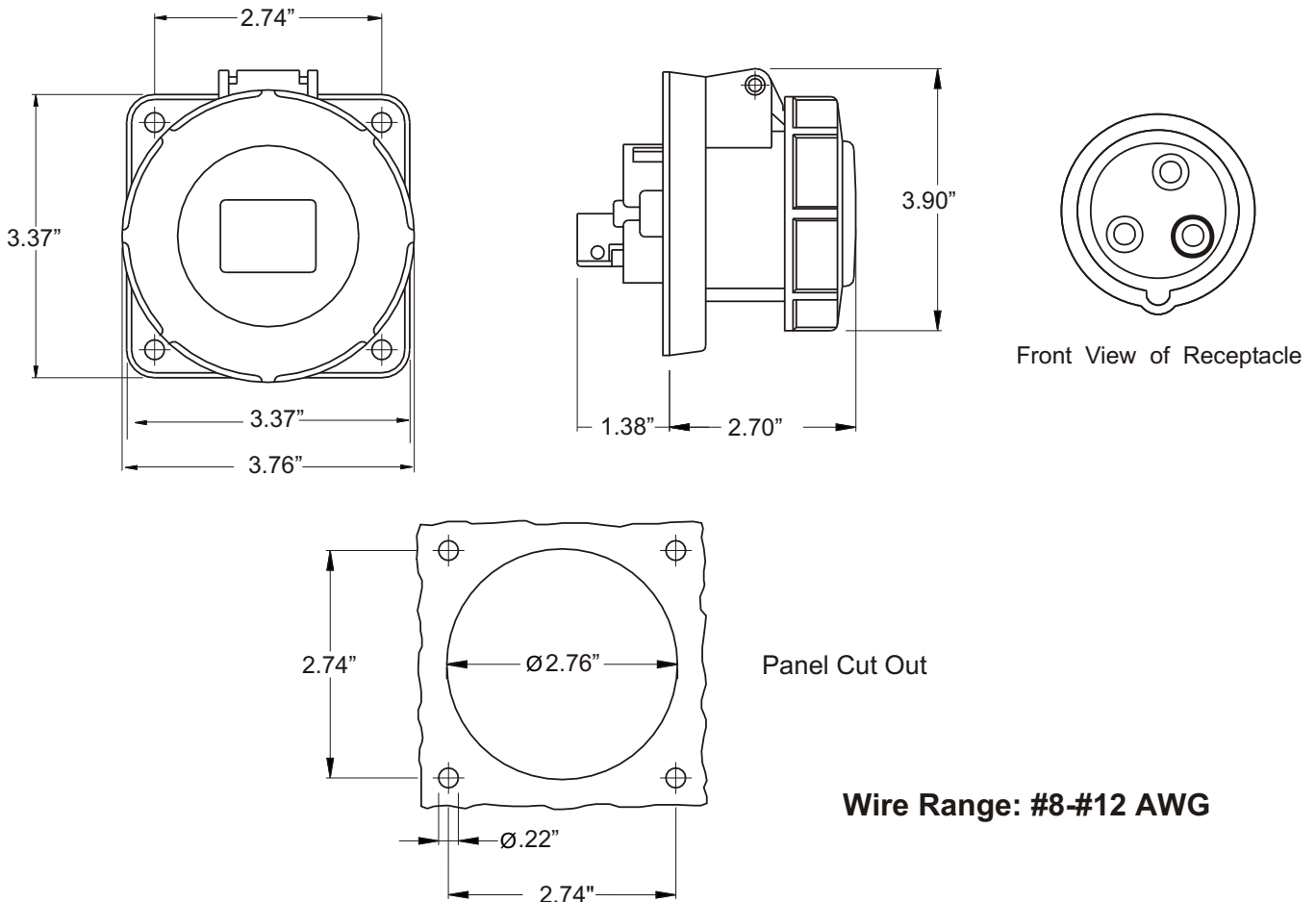


**RECEPTACLE, PANEL MOUNTED**

<b>Part No.</b>	ME 330R4W
<b>Description:</b>	30 Amp 125Vac 2 Pole, 3 Wire Receptacle
<b>Construction:</b>	Watertight IEC IP 67
<b>Approvals:</b>	UL Listed Standards 1682; 1686 CSA Certification to Spec. C22.2 No. 182.1 IEC 60309-1; IEC 60309-2

**IEC COLOR CODE:** Yellow

**GROUND SOCKET:** 4 Hour Position Mates with Male in 8 Hour Position.



Drawing Not to Scale